

LANYARD CABLE REEL

- ◆ **LARGE DIAMETER HUB TO ACCOMMODATE LESS FLEXIBLE CABLES**
- ◆ **COMPACT AND LIGHTWEIGHT**
- ◆ **ROBUST STAINLESS STEEL CONSTRUCTION**
- ◆ **PROVEN HEAVY DUTY DESIGN**
- ◆ **ADJUSTABLE BRAKE, NO OVER RUN**
- ◆ **OPTIONAL CABLE GUIDE**
- ◆ **FULLY INSULATED**



Introduction

Hydrant pit valves must be fitted with a method of closing the valve remotely in an emergency, which should be independent from the deadman system. A Lanyard Cable is the most common method of achieving this requirement.

History

In the past, Lanyard Cables were stowed on the dispenser by wrapping them around metal brackets, which could result in damage, tangling or kinking of the cable, and it also restricted the available cable length. Alternatively they were sometimes fitted to converted bonding reels which were made from thick Aluminium or Brass castings, so in the event of failure or damage occurring it meant replacing a large expensive component. The rotational resistance was low so the reel continued to spin in an uncontrolled manner during unreeling and so deposited cable on the ground. Also, there would be electrical continuity across the reel which could electrically 'ground' the dispenser through the Lanyard Cable. This represented an undesirable and uncontrolled situation and could only be overcome by insulating the reel bracket from its mounting point.

The Aljac Lanyard Cable Reel has been developed from our highly successful and well proven Bonding Reel, but it has also been specifically redesigned to overcome these shortcomings.

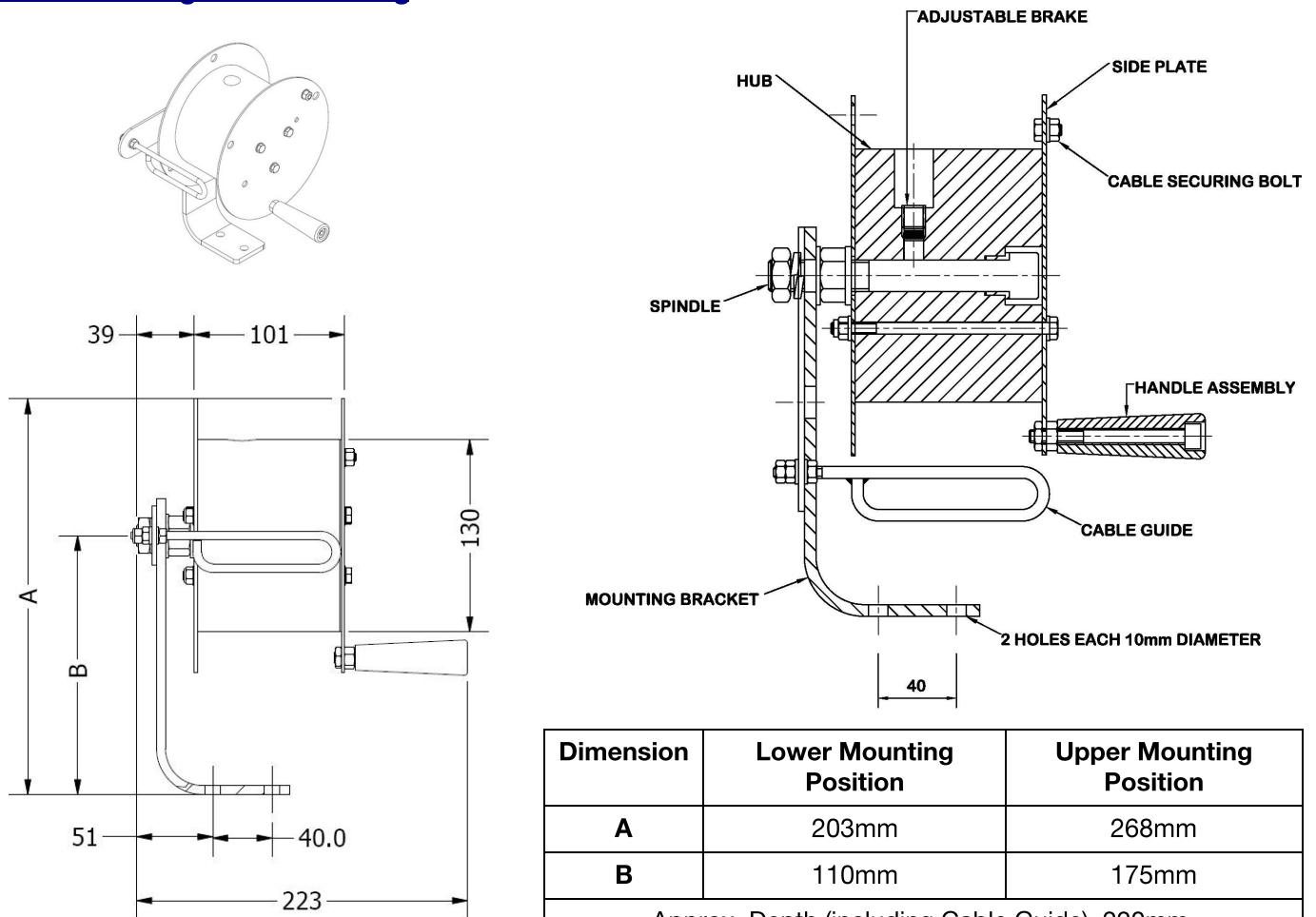
Description

The Aljac Lanyard Cable Reel has an extended operational life and it can be fully overhauled very simply. The hub is made from rigid PVC which provides a maintenance free bearing. This also means that the Lanyard Cable is fully insulated from the Lanyard Reel Bracket, hence preventing electrical grounding of the dispenser, without the problem of insulating the reel bracket from its mounting point. Stainless Steel is used for all other major components. The reel is also fitted with an adjustable friction brake to eliminate uncontrolled over-run when unreeling.

Our Lanyard Cable Reel accommodates the less flexible Steel cored Lanyard Cable types. The large diameter hub minimises the tendency of the cable to take up a permanent coiled shape and so allows the cable to remain flat when laying on the ground, reducing the likelihood of a trip hazard. The reel can be fitted with an optional adjustable Cable Guide which allows the cable to be unreeled at acute angles without snagging on the reel side plates.

The reel is fitted with a longer mounting bracket to give increased hand clearance under the handle when rewinding. It will comfortably stow up to 20 metres of 5.5mm diameter cable.

General Arrangement Drawing



Specification

Capacity: 20 metres of 4.5mm outside diameter cable.

Material: Type 304 Stainless Steel with rigid PVC hub.

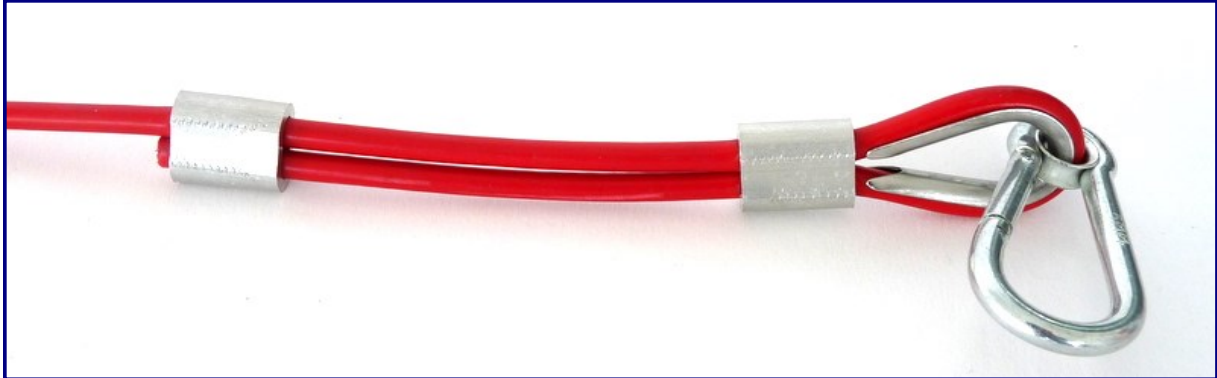
Electrical Resistance: Hub and Side Plates fully Insulated from the Mounting Bracket.

Shipping weight: 2.3 kg (reel only).

How To Order

Part Number	Description
0100211022	Large Hub Lanyard Cable Reel, no cable.
0100211013	Adjustable cable guide/bracket.

LANYARD CABLE AND CLIPS



How To Order

Part Number Description

- 0100212020** 20 meter Lanyard cable assembly including 60mm long clip (as shown above).
0100212002 Lanyard cable, 6x19 Galvanised Steel core with red PVC cover, per metre.
Supplied in cut lengths or 300 metre drums.
0100213005 Lanyard clip, Stainless Steel, 60mm closed type.
0100213015 Lanyard clip, Plated Steel, 63mm swivel type.
0100213006 Lanyard thimble, Stainless Steel.
0100213007 Lanyard ferrule, Aluminium.

