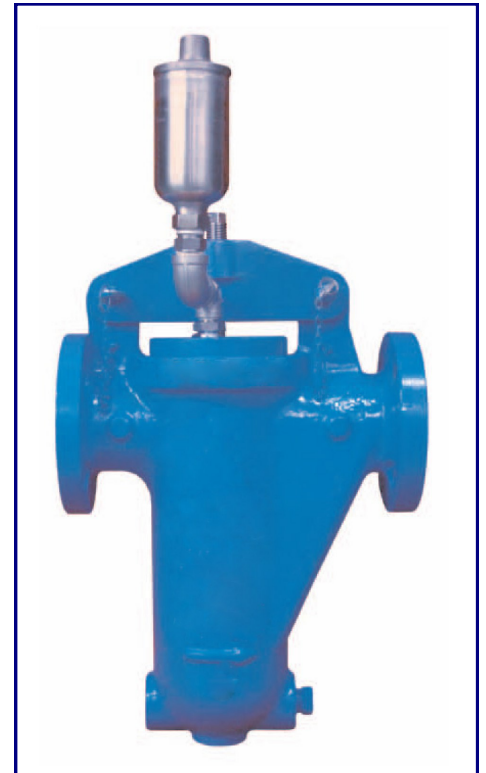


BASKET STRAINERS

- ◆ **CAST CARBON STEEL BODY**
- ◆ **RUGGED HIGH STRENGTH DESIGN**
- ◆ **STAINLESS STEEL HIGH CAPACITY LOW PRESSURE LOSS BASKET**
- ◆ **CHOICE OF BASKET MESH SIZES**
- ◆ **PED COMPLIANT**
- ◆ **QUICK RELEASE LID, NO SPECIAL TOOLS FOR BASKET REMOVAL**
- ◆ **SIDE DRAIN POINT**
- ◆ **O RING LID SEAL, NO GASKETS**
- ◆ **OPTIONAL DIFFERENTIAL PRESSURE TAPPING**
- ◆ **OPTIONAL AUTOMATIC AIR VENT VALVE**



Description

It is generally accepted that the presence of foreign matter in fluid handling systems is highly undesirable and can lead to the premature failure of critical high value items of equipment, such as pumps and meters. The installation of Basket Strainers is therefore highly recommended and widely practised in these systems. Aljac Basket Strainers have been in service all over the world for many years, protecting your critical items of fluid handling equipment.

Aljac Basket Strainers offer the end user a very low pressure loss under high flow conditions and an extended operational life. They are supplied with a quick release lid as standard, and this feature allows the basket to be removed quickly with no special tools, hence minimising the down time during basket cleaning. Basket removal is possible without the unit being fully drained. The lid is sealed with an O ring which gives the lowest possible clamping force with no gaskets required, and there is a side drain point to allow rapid drainage of the contents.

Optional features include the fitment of a differential pressure gauge or a float operated automatic air vent valve. For aviation fuel handling systems we can epoxy line the unit internally, and for more aggressive media we can supply our Basket Strainers in type 316 Stainless Steel.

Design Specification

Standard: PED/97/23/EC.

Design Pressure: 19.5 BarG (283 psig).

Test Pressure: 29.5 BarG (428 psig).

(Refer to flange tables for temperature limitations).

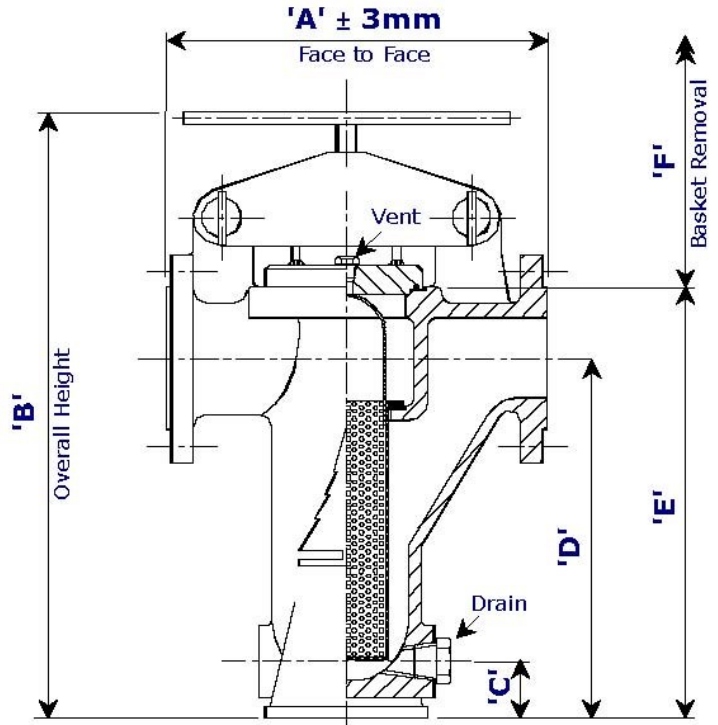
Flanges: ANSI B16.5 150lb raised face.

External Finish: Red oxide primer. Other paint finishes on request.

Internal Finish: Clean and oiled as standard.

Abrasive blasted and painted with Copon EA4/EA9 white epoxy lining on request.

Item	Material
Strainer Body	ASTM A216 WCB
Strainer Cover	ASTM A516 Gr60/A216 WCB
Strainer Basket	Stainless Steel A316 40 mesh to 120 mesh
Cover O ring	Viton A
Vent Plug	ASTM A105N
Drain Plug	ASTM A105N
Strongback	ASTM A216 WCB
Screw Handle	ASTM A193 B7M/St. Steel handle
Quick Release Pin	BS 970 080/M40 Zinc Plated
Linch Pin	Carbon Steel Zinc Plated



Size	A (mm)	B (mm)	C (mm)	D (mm)	E (mm)	F (mm)	Basket Area (sq. cm)	Vent ("NPT)	Drain ("NPT)	Nett Weight (Kg)	Part Number.
3"	365	570	40	342	410	375	652	3/8"	3/4"	47.5	600307300 1
4"	445	695	47	426	505	450	1088	3/8"	1"	70.0	600307400 1
6"	600	990	95	619	734	630	2151	1/2"	1.1/2"	167.0	600307500 1
8"	715	1190	112	787	927	800	3973	1/2"	1.1/2"	330.0	600308300 1